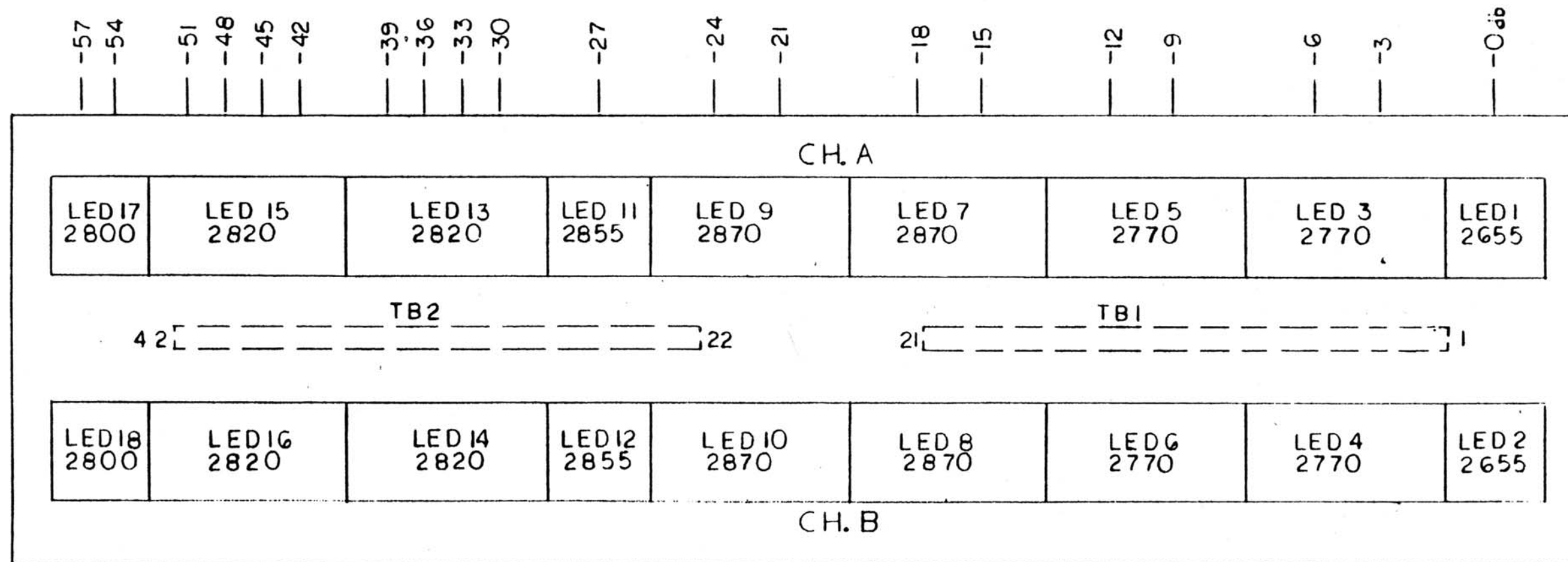


COMP. NOT INSTALLED BY OUTSIDE VENDOR	LAST REF. DES.		NOTES	REV.	DESCRIPTION	DATE
	USED	NOT USED				
	C6		1. J = JUMPER 2. FAN SENSOR LOCATED ON HEATSINK MODULE 3. SEE INSET FOR 100V TB1/T1 CONNECTIONS 110V AND 120V XFMR TAB A = 120V B = 110V 4. UNUSED XFMR TAB PER WINDING GOES TO TB1 PINS 1 & 5 5. MODELS 3000/3001 C1,C2,C3,C4 15000 80V MODELS 4000/4001 C1,C2,C3,C4 20000 90V			
	CB1					
	CR2					
	R1					
	S1					
	T1					
	TB3					

<b>CREST AUDIO</b> HAWTHORNE, N.J. 07506	
DWN: E.H.	DATE: 9/24/85
APP: J.E.	DATE: 11/18/85
TOL: ±.02 < ±.1°	***.01 FRACT. 2/104
MATL:	
FINISH:	
DWG. NO: 2103796	REV:
SCALE — DO NOT SCALE DRAWING	



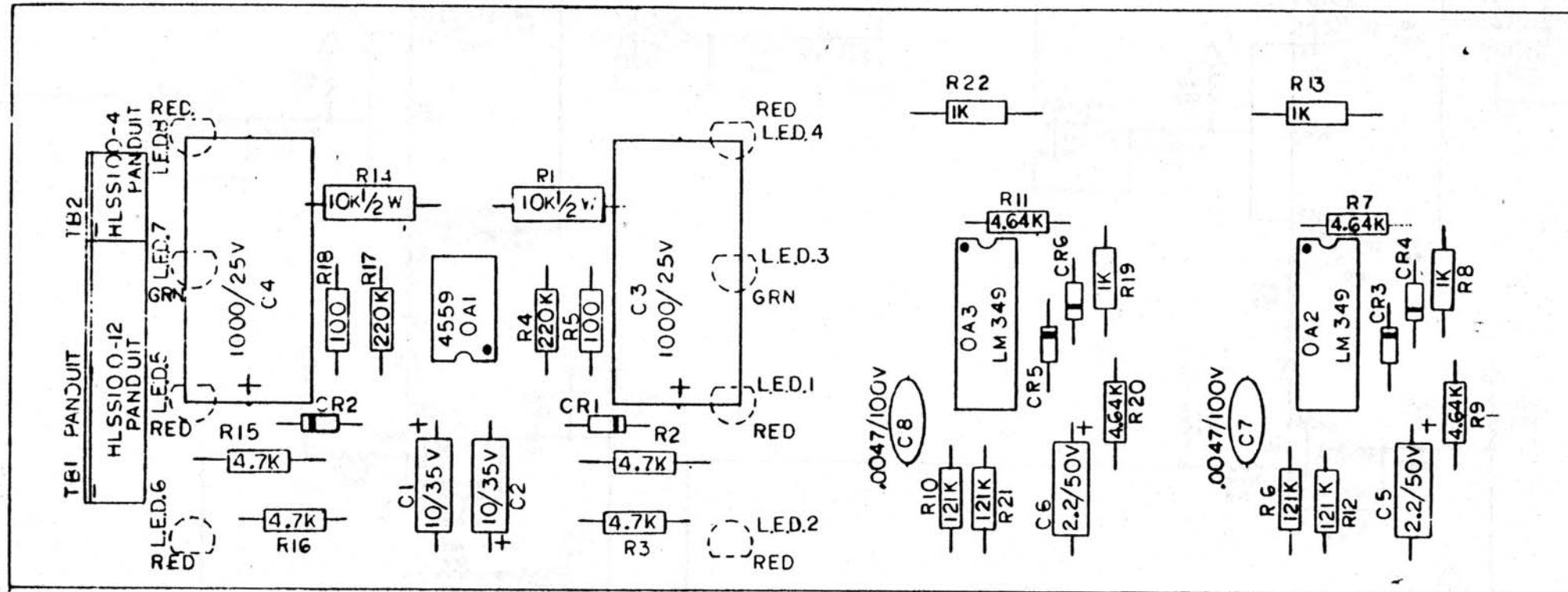


**NOTES**

- 1) COMPONENT SIDE UP
- 2) RED = LED 1-2  
YEL = LED 3-6  
GRN = LED 7-18
- 3) TBI & 2 MOUNT ON SOLDER SIDE

REV	DESCRIPTION	DATE
02	REDESIGN & REDRAW	10/26/83

<b>CREST AUDIO</b>	
HAWTHORNE, N.J. 07506	
DWN: E.C.	DATE: 10/26/83
APP: I.F.	DATE: 2/6/84
TOL: XX: ±.02    Z: ±1° XXX: ±.01    FRACT: ±1/64	
MATL:	
FINISH:	
CREST: MODEL 3000/3001/4000 4001 POWER AMPLIFIERS METER ARRAY P.C.B. ASSEMBLY DWG.	
DWG. No.: 2202370	REV.: 02
SCALE: DO NOT SCALE DRAWING	



COMP. NOT INSTALLED BY  
OUTSIDE VENDOR

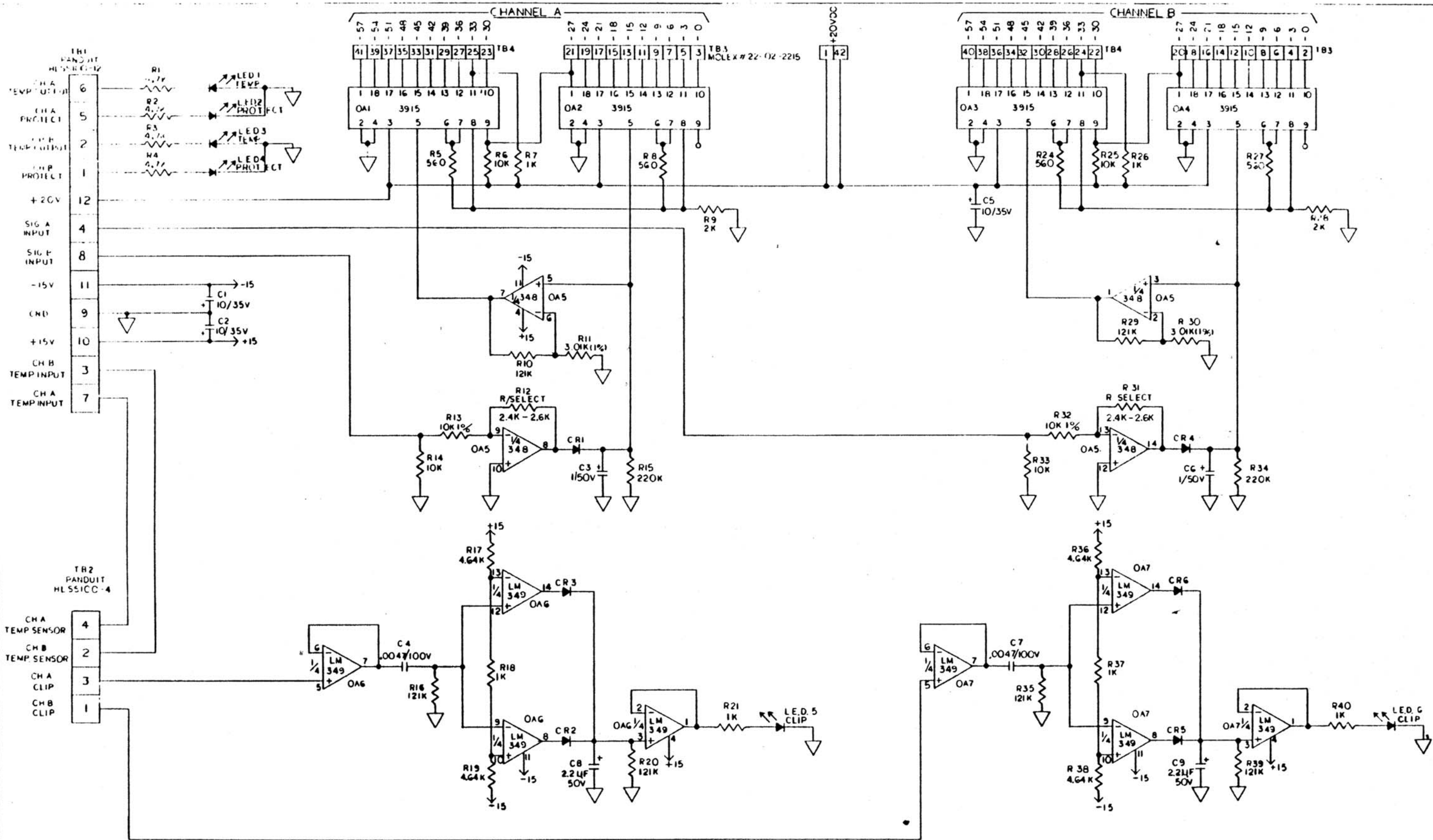
LAST REF DES	
USED	NOT USED
C8	
CR 6	CR3 CR5 <input checked="" type="checkbox"/>
LED 9	
OA 3	
R22	R6, 8, 9, 21, 22 <input checked="" type="checkbox"/>
TB2	

NOTES =

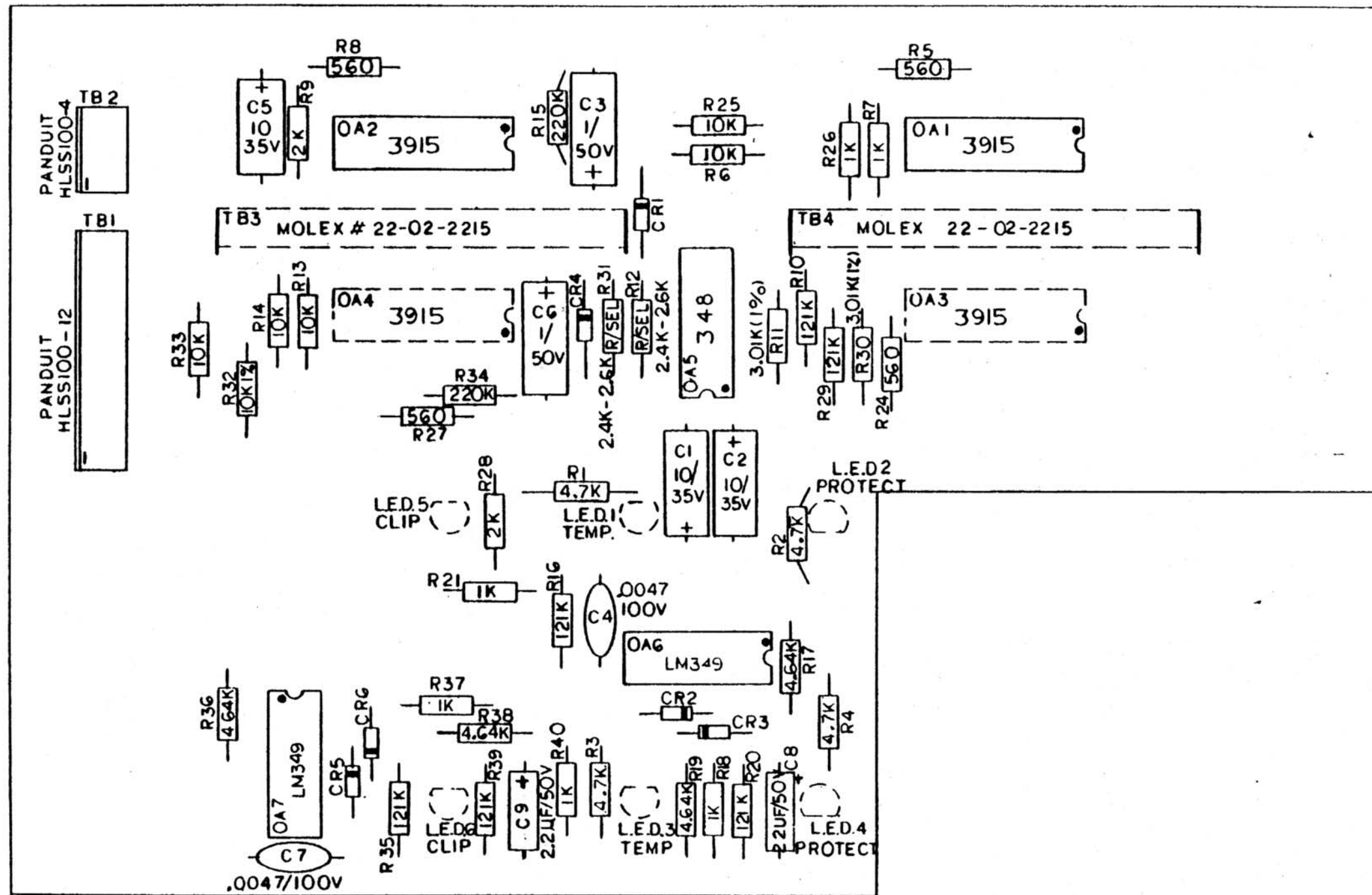
- 1) ALL RESISTORS  $\frac{1}{4}$ W, UNLESS OTHERWISE SPECIFIED
- 2) ALL DIODES 4148, UNLESS OTHERWISE SPECIFIED
- 3) ALL CAPACITORS ELECTROLYTIC, UNLESS OTHERWISE SPECIFIED

REV	DESCRIPTION	DATE
01	R1-R14 FROM $\frac{1}{4}$ W TO $\frac{1}{2}$ W	10-26/83
02	SEE <del>NOT USED</del> . ADD C7, C8, R10, R23 FROM D.I.T. TO 300 R7 R20 FROM D.I.T. TO 121K	11/30/83
03	R1, R13, R14, R26 FROM $\frac{1}{2}$ W TO 1K 1W (C.F.) — R17, R4 FROM 242K TO 220K	12/6/83
04	REDESIGN P.C.B.	12/13/83
05	REVERSE POLARITY LED2, 6	4/24/84

DALLAS MUSIC INDUSTRIES HAWTHORNE, N.J. 07508			
OWN: E.C.	DATE: 7/29/83	CREST:	
APP: I.F.	DATE: 2/2/84	MODELS: 3001/4001 SERIES POWER AMPLIFIERS	
TOL: RES: $\pm 0.2$ $\angle$ : $\pm 1^\circ$ FRAC: $\pm 1/64$	L.E.D. P.C. ASSEMBLY		
MATL:	DWG N°		
FINISH	REV		



COMP. NOT INSTALLED BY OUTSIDE VENDOR		LAST REF DES		NOTES:	REV	DESCRIPTION	DATE	DALLAS MUSIC INDUSTRIES NORTHWIND, N.J. 07061	
USED	NOT USED	USED	NOT USED					E.C.	*REV/31/83
				1) ALL RESISTORS 1/4 W UNLESS OTHERWISE SPECIFIED	01	SEE NOT USED. ADD C8, C9. R36, R17 FROM D.I.T. TO 300	11/30/83		
				2) ALL DIODES IN 4148 UNLESS OTHERWISE SPECIFIED	02	R1, R2, R3, R4, R25, R42 FROM 820 1/2 W TO 1/4 W (C.F.)	12/6/83		MODELS: 4000/3000 SERIES POWER AMPLIFIERS
				3) ALL 10K RESISTOR 1% UNLESS OTHERWISE SPECIFIED	03	R22, R41 FROM 43K TO 121K	12/29/83		MAIN INTER P.C.B.
				4) REV 1, 2, SEE DWG. 2104645-02 (OBSOLETE FILE)	04	REDESIGN P.C.B.	4/24/84		SCHEMATIC DWG
						REVERSE POLARITY LED 2, 4 R, 2, 3, 4. W TO 4.7K			
									SCALE: DO NOT SCALE DRAWING



COMP. NOT INSTALLED BY  
OUTSIDE VENDOR

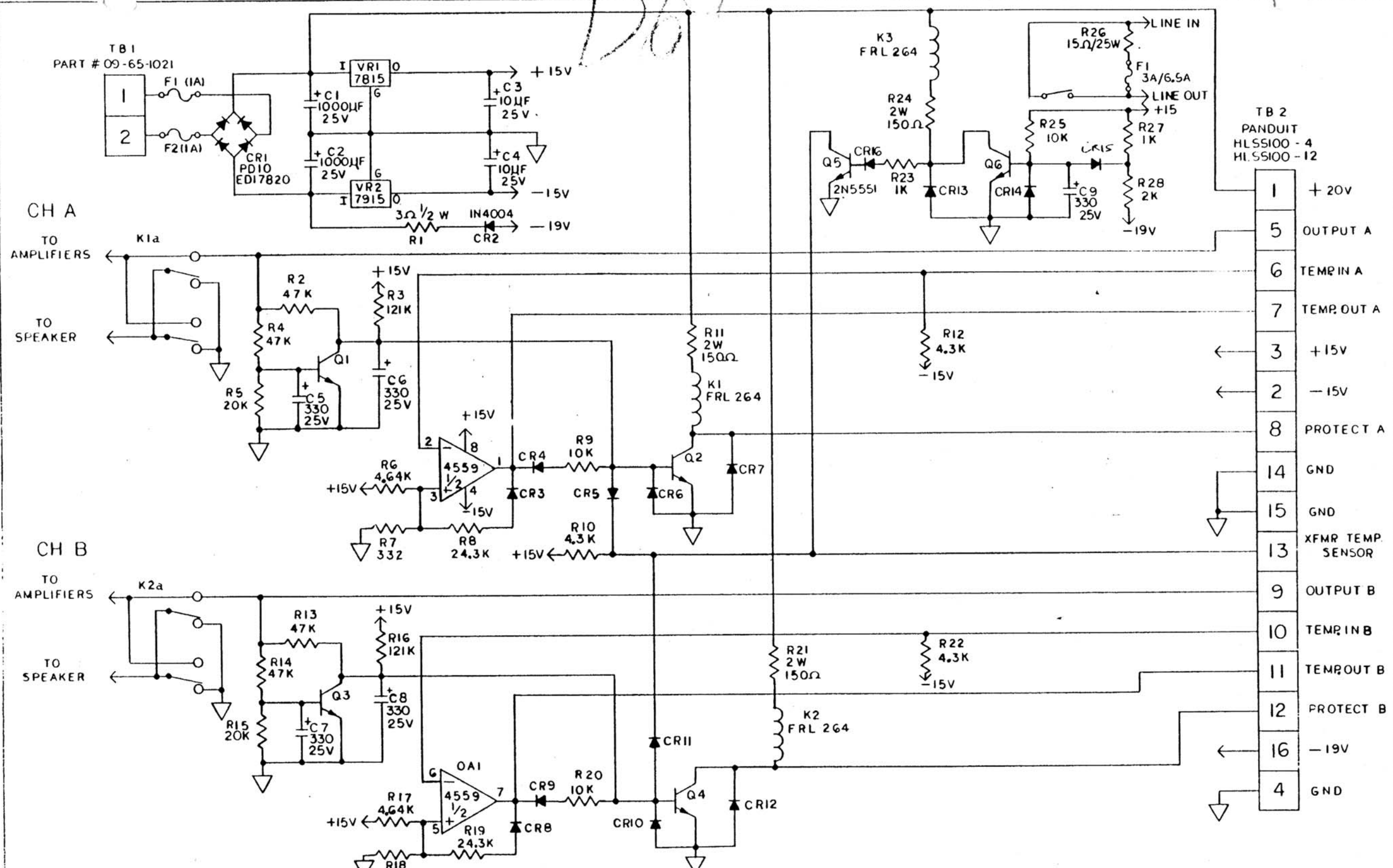
LAST REF DES	
USED	NOT USED
C9	
CR6	
OA7	
L.E.D.6	
R40	R22, R23
TB4	

NOTES  
 1) ALL RESISTORS 1/4 W UNLESS OTHERWISE SPECIFIED  
 2) ALL DIODES IN 4148 UNLESS OTHERWISE SPECIFIED  
 3) ALL 10K RESISTORS 1% UNLESS OTHERWISE SPECIFIED  
 4) REV 1, 2 SEE DWG 2204645-02 (OBSOLETE FILE)

REV	DESCRIPTION	DATE
03	REDESIGN P.C.B. & REDRAW DWG	12/28/83
04	REVERSE POLARITY LED 2, 4 R1, 2, 3, 4 - 1K TO 4.7K	4/24/84

DALLAS MUSIC INDUSTRIES  
HAWTHORNE, N.J. 07506

DWN: E.C.	DATE: 12/28/83	CREST: MODELS: 4000/3000 SERIES POWER AMPLIFIERS MAIN METER P.C.B. ASSEMBLY
APP: I.F.	DATE: 2/2/84	
TOL: ± 1.02 < ± 1° ± 2.01 FRAC ± 1/64		
MATL:		
FINISH	DWG NO: 2203645	REV: 04



COMP NOT INSTALLED BY  
OUTSIDE VENDOR

LAST REF. DES	
USED	NOT USED
C9	
CR16	
K3	
OA1	
Q6	
R28	
TB2	

NOTES

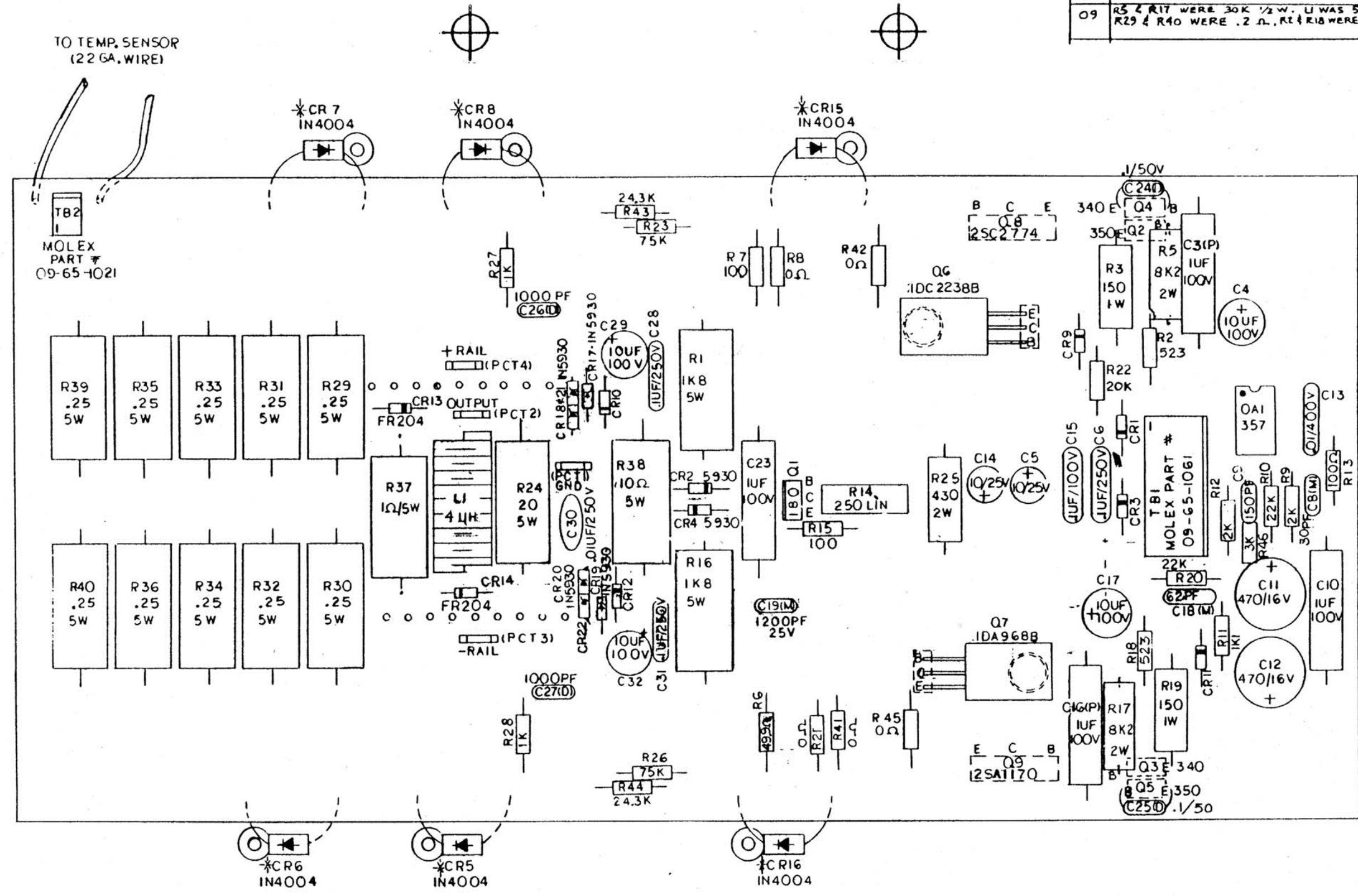
- 1) ALL RESISTOR 1/4 W, 1% UNLESS OTHERWISE SPECIFIED
- 2) ALL DIODES IN 4148 UNLESS OTHERWISE SPECIFIED
- 3) ALL TRANSISTORS MPSA13 UNLESS OTHERWISE SPECIFIED
- 4) REV-00, SEE DWG # 2104677-00(OBSOLETE FILE)

REV	DESCRIPTION	DATE
01	REDESIGN P.C.B.	3/13/84
02	CHANGE RB, R19 FROM 20K TO 24.3K	3/23/84

**DALLAS MUSIC INDUSTRIES**  
HAWTHORNE, N.J. 07508

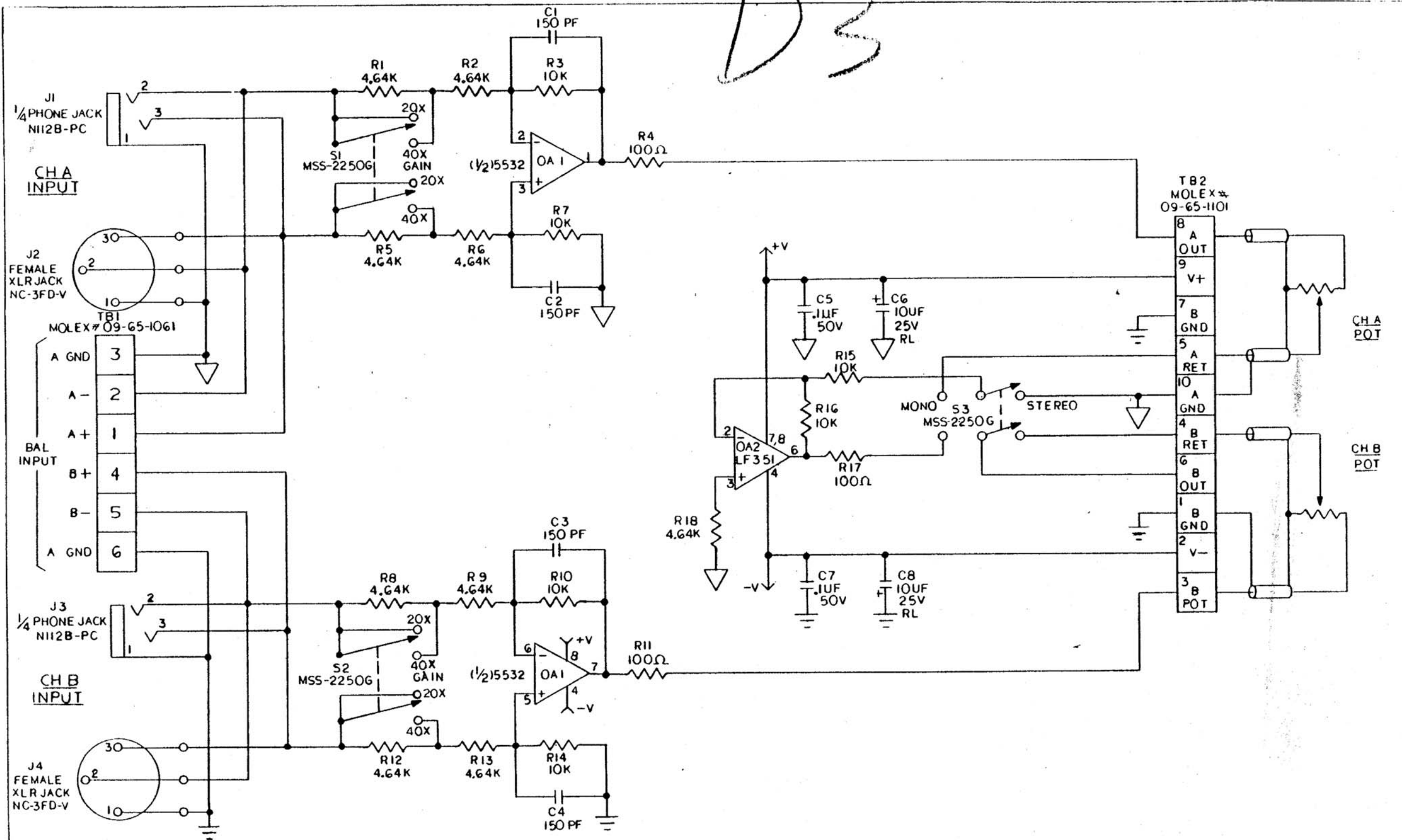
DWN: E.C.	DATE: 3/13/84	<b>CREST:</b> MODELS 4000/4001/3000/3001 POWER AMPLIFIERS RELAY/PROTECT P.C.B. SCHEMATIC DWG
APP:	DATE:	
TOL:	± 0.2 < ± 1°	
MATL:	± 0.1 FRACT 2/1/84	
FINISH:	DWG N.:	REV:
	2103677	02

REV	DESCRIPTION	DATE
09	R5 & R17 WERE 30K 1/2 W. L1 WAS 5μH R29 & R40 WERE .2 Ω, R1 & R18 WERE 2K	12/1/85



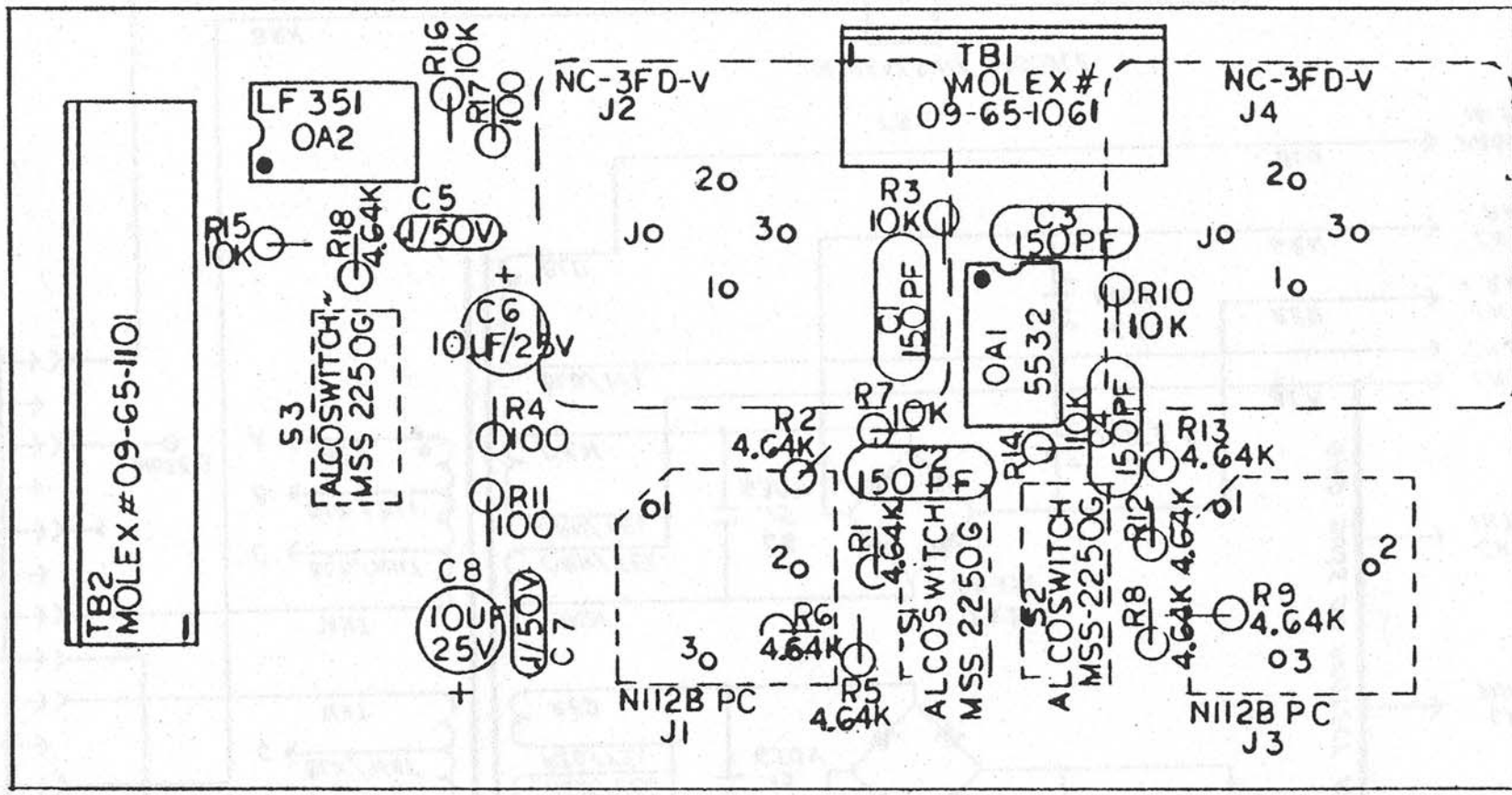
COMP NOT INSTALLED BY OUTSIDE VENDOR	LAST REV DES		NOTES	REV	DESCRIPTION	DATE	DALLAS MUSIC INDUSTRIES HAWTHORNE, N.J. 07506	
	USED	NOT USED					DWN: E.C. 9/8/84	CREST
CR 5, 6, 7, 8, 15, 16	C 32	CI, 2, 20, 21, 22,	1) ALL RESISTORS 1/4 W, 1% UNLESS OTHERWISE SPECIFIED 2) CAPACITORS = (D) DISC, (M) MICA, (P) POLY. 3) * - PARTS ON HEATSINK 4) ALL DIODES IN4148 UNLESS OTHERWISE SPECIFIED 5) REV 1, 2, 3, 4, 5, SEE DWG # 2104643-05 (OBSOLETE FILE) 6) Q6 & Q7 ATTACH WITH PEM NUT # KFS2	06	REDESIGN P.C.B. & REDRAW DWG TO "C" SIZE	1/6/83	APP: I.F.	DATE: 6/2/84
C 2, 3, 4, 5, 6, 7, 8, 9	CR 20			07	ADD RESISTORS # 42, 45 5Ω ADD RESISTORS # 43, 44 (24.3K) ADD DIODES # 17, 19 (1N5930) ADD DIODES # 18, 20 (1N1786) REMOVE CAP # 22 (1000 PF) (D) CHANGE R13 FROM 3KΩ TO 100Ω CHANGE R25 FROM 430Ω 2W TO 200Ω 2W CHANGE C8 FROM 30 PF TO 62PF CHANGE R27, 28 FROM 100 TO 1K CHANGE R23, 26 FROM 6K8 TO 75K	2/15/84	TOL: ±.02 < ±.1° ±.01 FRACT ±1/64	MODELS: 3000/3001 SERIES POWER AMPLIFIERS
TB 2	L1						MATL:	HEATSINK P.C.B.
	Q19						FINISH:	ASSEMBLY DWG.
	R45						DWG NO: 22	REV: 09
	TB3						SCALE: 2:1	NOT SCALE DRAWING
					OR	CR-30, CR18, 20-1N5930, R10-450, ADD CR21, 22, R44	4/25/84	





COMP NOT INSTALLED BY OUTSIDE VENDOR	LAST REF DES		NOTES	REV	DESCRIPTION	DATE	DALLAS MUSIC INDUSTRIES HAWTHORNE, N.J. 07508	
	USED	NOT USED					DWN E.C.	DATE
J2, J4 S1, S2, S3	C8		ALL RESISTOR 1/4W AND 1% UNLESS OTHERWISE SPECIFIED	01	REDESIGN & REDRAW	11/17/83	APP. I.J.F.	DATE 1/5/84
	J4						TOL. ± 0.2% < ± 1% ± 0.1% FRACT ± 1/64	CREST MODELS: 3000/3001/4000/4001 POWER AMPLIFIERS
	OA2						MATL	INPUT P.C.B. SCHEMATIC DWG
	R18						FINISH	DWG NO. 2103641
	S3						REV	01
	TB2						SCALE	DO NOT SCALE DRAWING

NOTES ALL RESISTOR 1/4 W - AND 1% UNLESS OTHERWISE SPECIFIED.

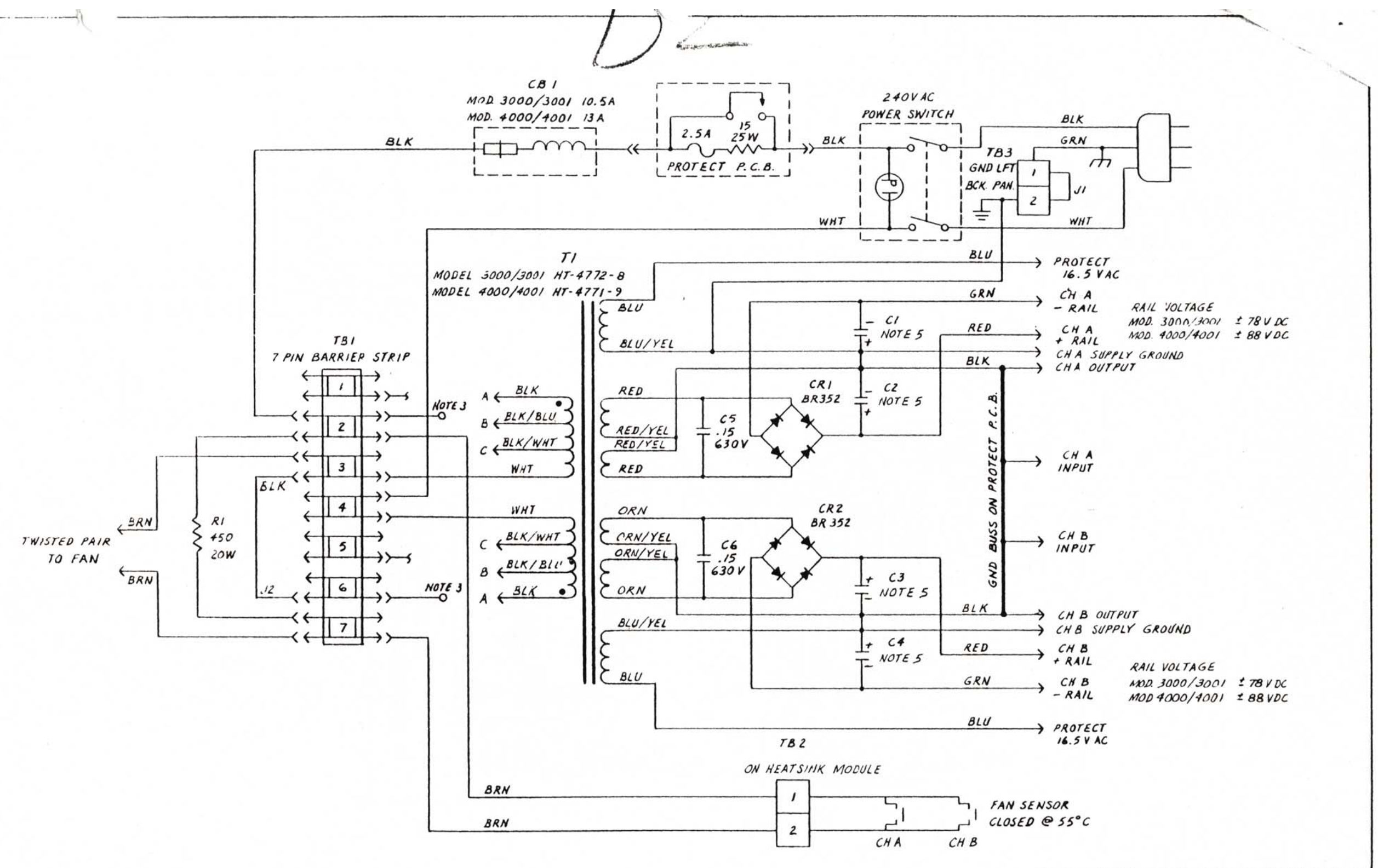


COMP. NOT INSTALLED BY OUTSIDE VENDOR

J2, J4,	
---------	--

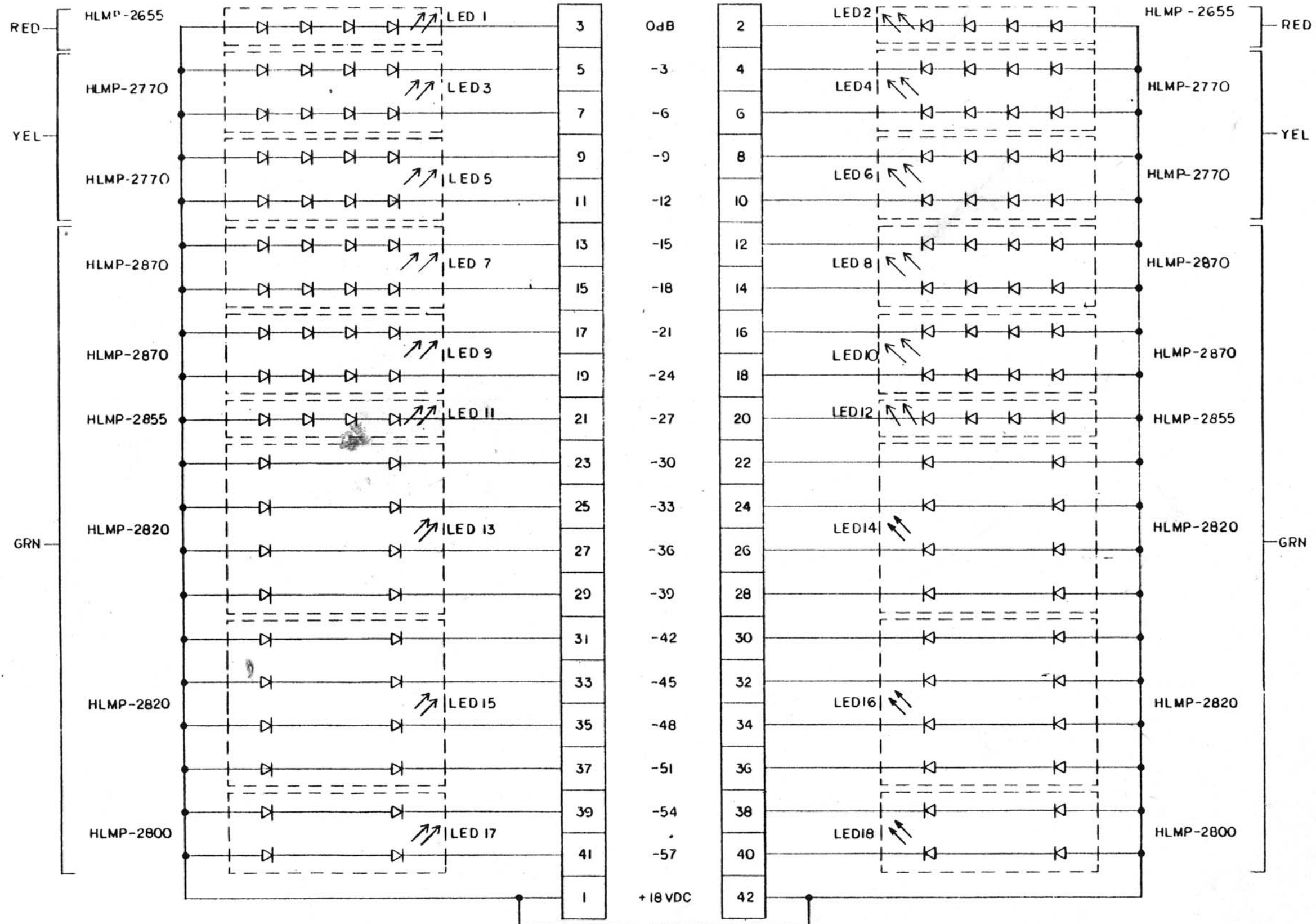
LAST REF DES		REV	DESCRIPTION	DATE
USED	NOT USED	01	REDESIGN & REDRAW	11/11/83
C8				
J4				
OA2				
R18				
S3				
TB2				

DALLAS MUSIC INDUSTRIES HAWTHORNE, N.J. 07506		
DWN.: E.C.	11/11/83	CREST MODELS: 4000/4001/3000/3001 POWER AMPLIFIERS INPUT P.C.B. ASSEMBLY DWG.
APP: I.F.	DATE: 2/2/84	
TOL: XX: ±.02    <: ±1° XXX: ±.01    FRACT: ±1/64		
MATEL:		
FINISH:		
DWG. No.: 2202641		REV: 01
SCALE: 2:1		DO NOT SCALE DRAWING



COMP. NOT INSTALLED BY OUTSIDE VENDOR	LAST REF DES.		NOTES	REV	DESCRIPTION	DATE	CREST AUDIO HAWTHORNE N.J. 07506		
	USED	NOT USED					OWN: E.N.	DATE: 9/23/85	CREST
	C6		1. J = JUMPER 2. FAN SENSOR LOCATED ON HEATSINK MODULE 3. XFMR TAB A = 240V B = 220V C = 200V 4. UNUSED XFMR TAB PER WINDING GOES TO TB1 PINS 1 & 5 5. MODELS 3000/3001 C1,C2,C3,C4 15000 80V MODELS 4000/4001 C1,C2,C3,C4 20000 90V				APP: I.F.	DATE: 10/18/85	MODELS 3000/3001/4000/4001 SERIES POWER AMPLIFIERS
	CB1						TOL: .02 ±	FRACT: 2/64	VOLTAGE CONVERSION AND POWER SUPPLY 200V - 240V
	CR2						MATL:		SCHEMATIC DWG
	R1						FINISH:		DWG. NO. 2103797
	S1								REV:
	T1								
	TB3								

CH A



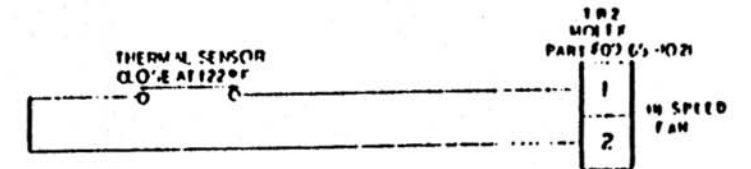
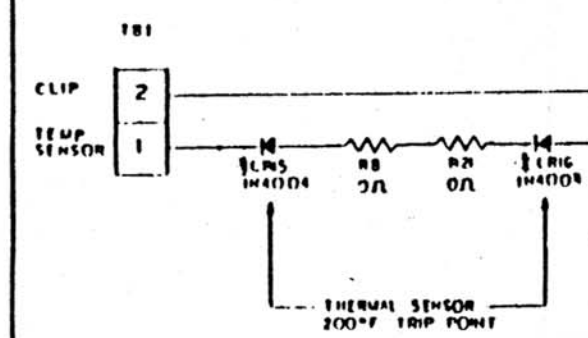
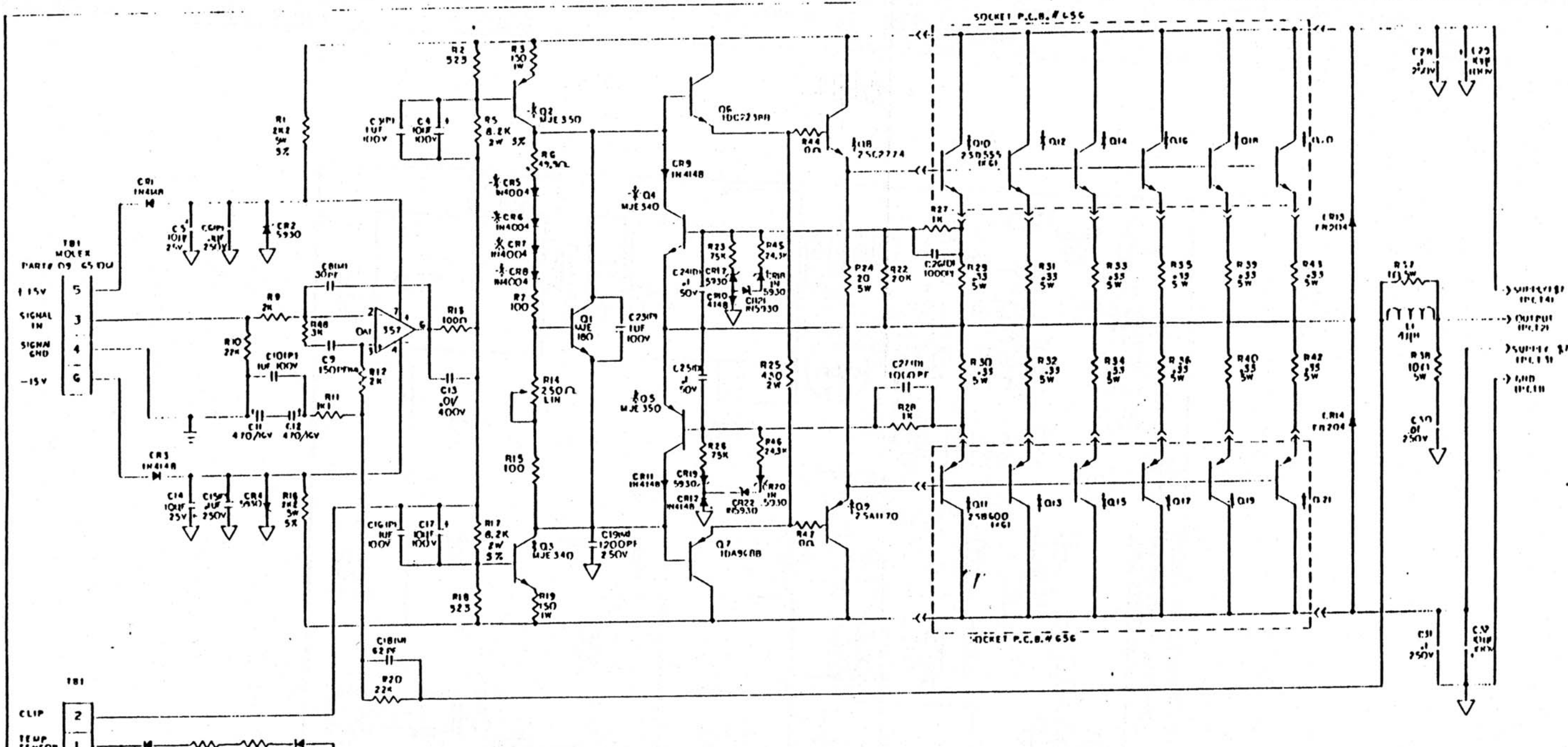
NOTES:

- 1) TB1 TERMINALS 1-21 & TB2 TERMINALS 22-42.

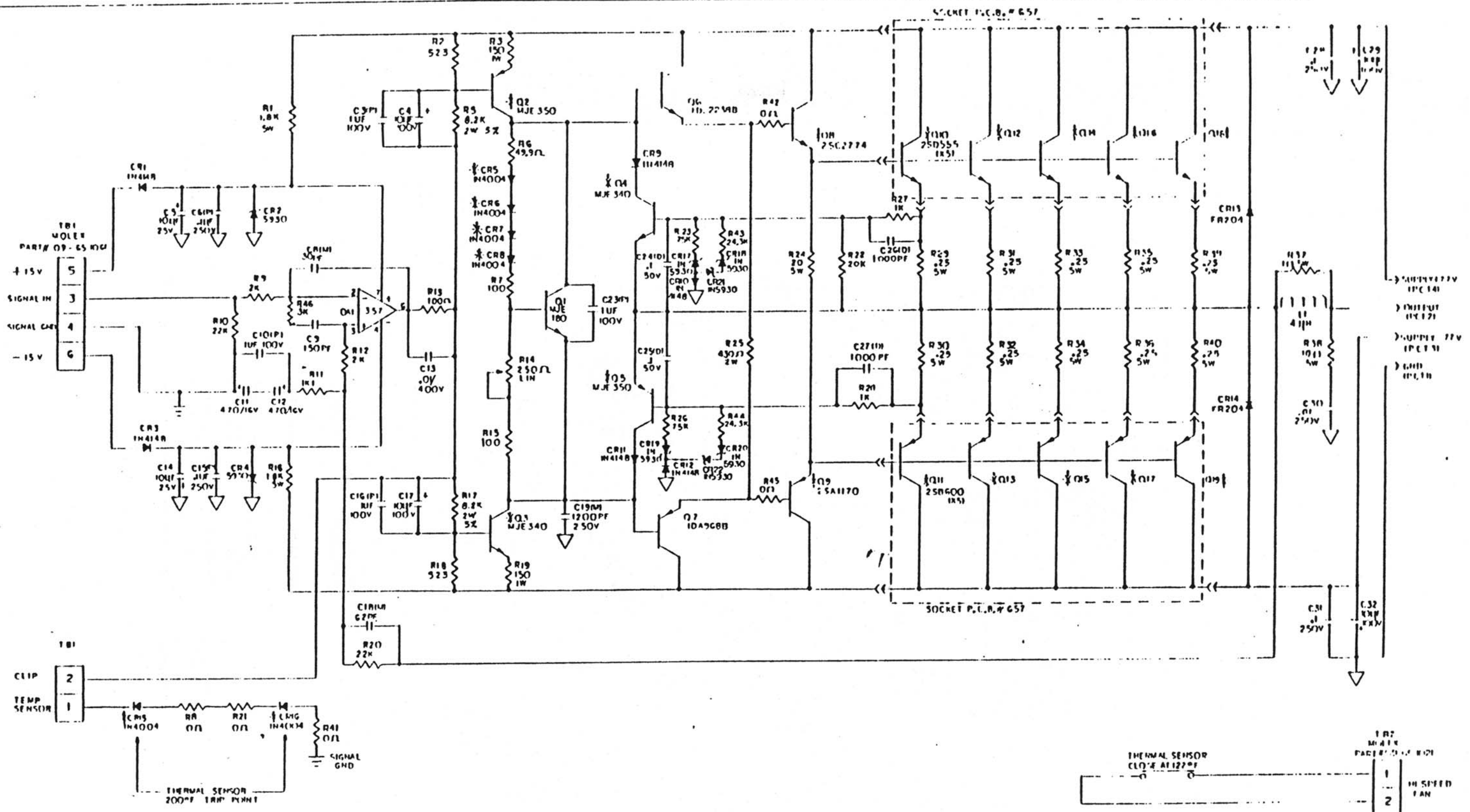
REV	DESCRIPTION	DATE
01	REDESIGN P.C.B.	2/8/82
02	REDESIGN P.C.B.	2/6/84



DWN	E.C.	DATE: 2/6/84	CREST MODEL 3000/300/4000/ 4001 POWER AMPLIFIERS METER ARRAY P.C.B. SCHEMATIC DWG.
APP	I.F.	DATE: 2/6/84	
TOL: XX ± .02 < ± 1° XXX ± .01 FRACT ± 1/64			DWG No. 2103379
MATERIALS:			
FINISH:			REV: 02
SCALE:			DO NOT SCALE DRAWING



REV	DESCRIPTION	DATE	COMP. NOT INSTALLED BY	LAST REF DES.	NOTES	REV	DESCRIPTION	DATE
09	R29-R43 WERE .2W 5% L1 WAS 5-1/4 R18 R19 WERE 100 R20 WERE 2K	11/27/85	OUTSIDE VENDOR CR5, 6, 7, R15, 16 Q2, 3, 4, 5, 6, 7, 8, 9 T82	USED C32 CR22 L1 Q41 C21 R50 T82	NOT USED C17, F20, R12	06	REDESIGN P.C.B. ADD RESISTOR R44 4715 1/4W ADD RESISTOR R45 46124.3 1/4W ALL JUNCTIONS 917 190H 50/50 ADD JUNCTIONS 918 201H 17/60 REMOVE CAP 272 100V P11 CHANGE R15 FROM 300 TO 100 CHANGE R25 FROM 430 TO 2W 1/4 2075 1/4W CHANGE C8 FROM 100P TO 62P CHANGE R22 FROM 100 TO 101K CHANGE R23, 26 FROM 600 TO 750 CHANGE R25 FROM 100 TO 100K R25 200 TO 450 1/4W (147.27 1/4W)	1/11/84 7/13/84

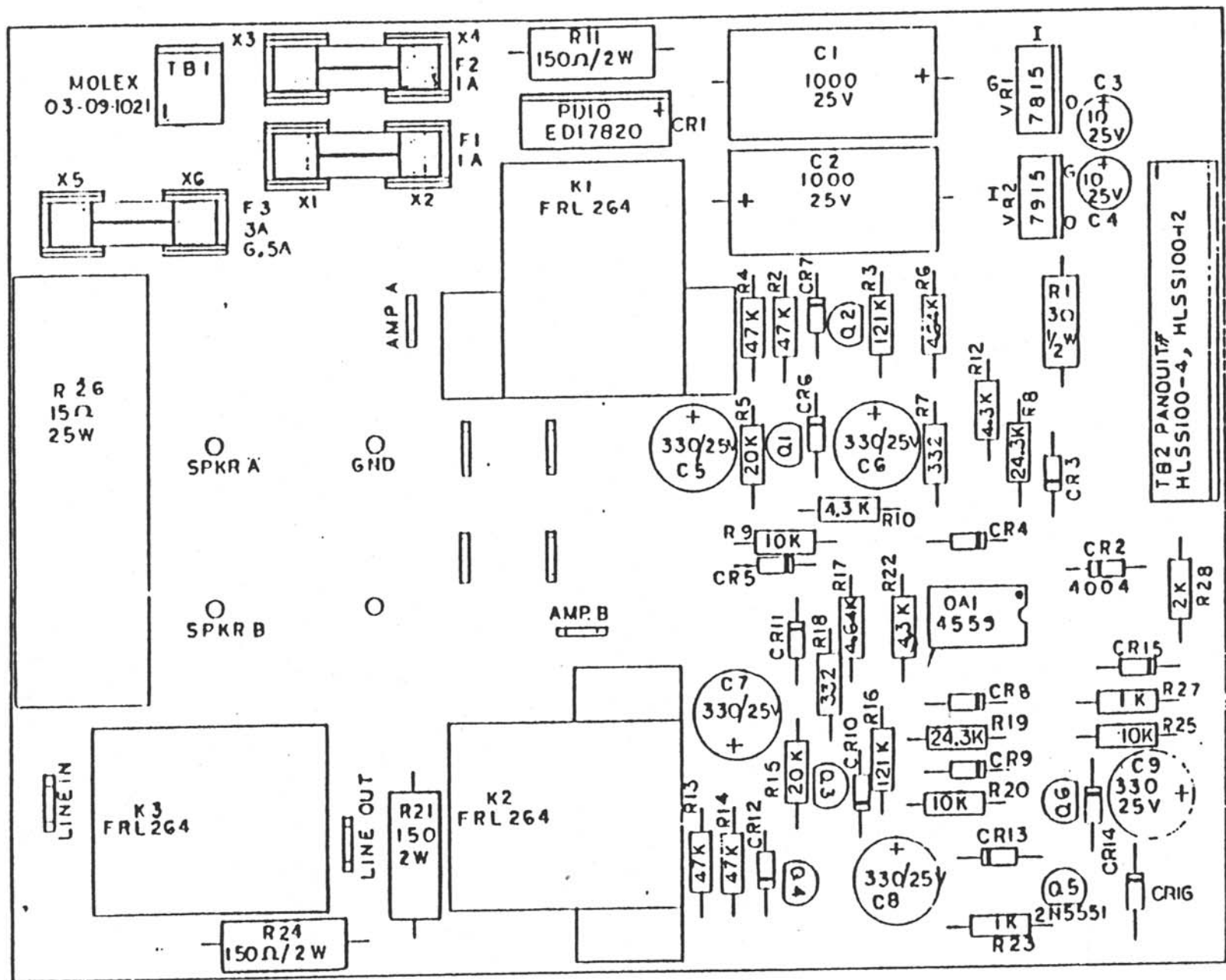


REV	DESCRIPTION	DATE	COMP NOT INSTALLED BY	LAST REF DES	NOTES	REV	DESCRIPTION	DATE
05	R5 & R17 WERE 30K & R1 WAS 50K R29 - R40 WERE .25K R2 (R18 WERE 2K	11/17/84	OUTSIDE VENDOR	USED C52 C53 CR22 L1 OAI O19 R46 T83	NOT USED C1, 2, 20, 21, 22	06 07	1) ALL RESISTORS 1/4 W. UNLESS OTHERWISE SPECIFIED 2) CAPACITORS - 100 DISC, 100M CAP POLY. 3) 1 PARTS ON HEATSINK 4) ON SOCKET P.C.B., USE PIN MOUNTING (OG1021) 5) 1Y 21 (10 OF 13) (O1Y) 6) REV. 12, 1, 4, 5 SEE DWG 2104G43 - OSIDISKRETE FILE)	11/5/84 11/15/84
08		4/25/84				08	1) ALL SIGN P.C.B. (REVISED) DWG 2) ADD RESISTORS R42 45K 50K 3) ADD RESISTORS R43 44K 24.3K 4) ADD DIODES # 12, 13, 14, 15, 16, 17, 18, 19, 20 5) ADD DIODES IN 20 PIN MOUNTING 6) REMOVE CAP # 22 1000PF (O1Y) 7) CHANGE R13 FROM 30K TO 100K 8) CHANGE R25 FROM 430-2W TO 200K 2W 9) CHANGE C 2 FROM 30PF TO 82PF 10) CHANGE R27 FROM 10K TO 10K 11) CHANGE R25 (25K FROM 10K TO 75K) 12) CHANGE R25 (25K FROM 10K TO 75K) 13) C.B. 100 (R20) IN 50 PIN MOUNTING	

DALLAS MUSIC INDUSTRIES  
 11515 N. DALLAS ST.  
 DALLAS, TEXAS 75243  
 TEL: 214-343-1111  
 FAX: 214-343-1111

HEATSINK P.C.B.  
 SCHEMATIC P.C.B.

REV 09  
 DO NOT SCALE DRAWING



TB2 PANQUIT#  
HLSS100-4, HLSS100-12

COMP NOT INSTALLED BY  
OUTSIDE VENDOR

LAST REF DES.	
USED	NOT USED
C 9	
CRIG	
K 3	
OAI	
Q 6	
R 28	

**NOTES**

- 1) ALL RESISTORS 1/4W, 1% UNLESS OTHERWISE SPECIFIED
- 2) ALL DIODES IN4148 UNLESS OTHERWISE SPECIFIED
- 3) ALL TRANSISTORS MPSA13 UNLESS OTHERWISE SPECIFIED
- 4) X1-X6 KEYSTONE # 3529

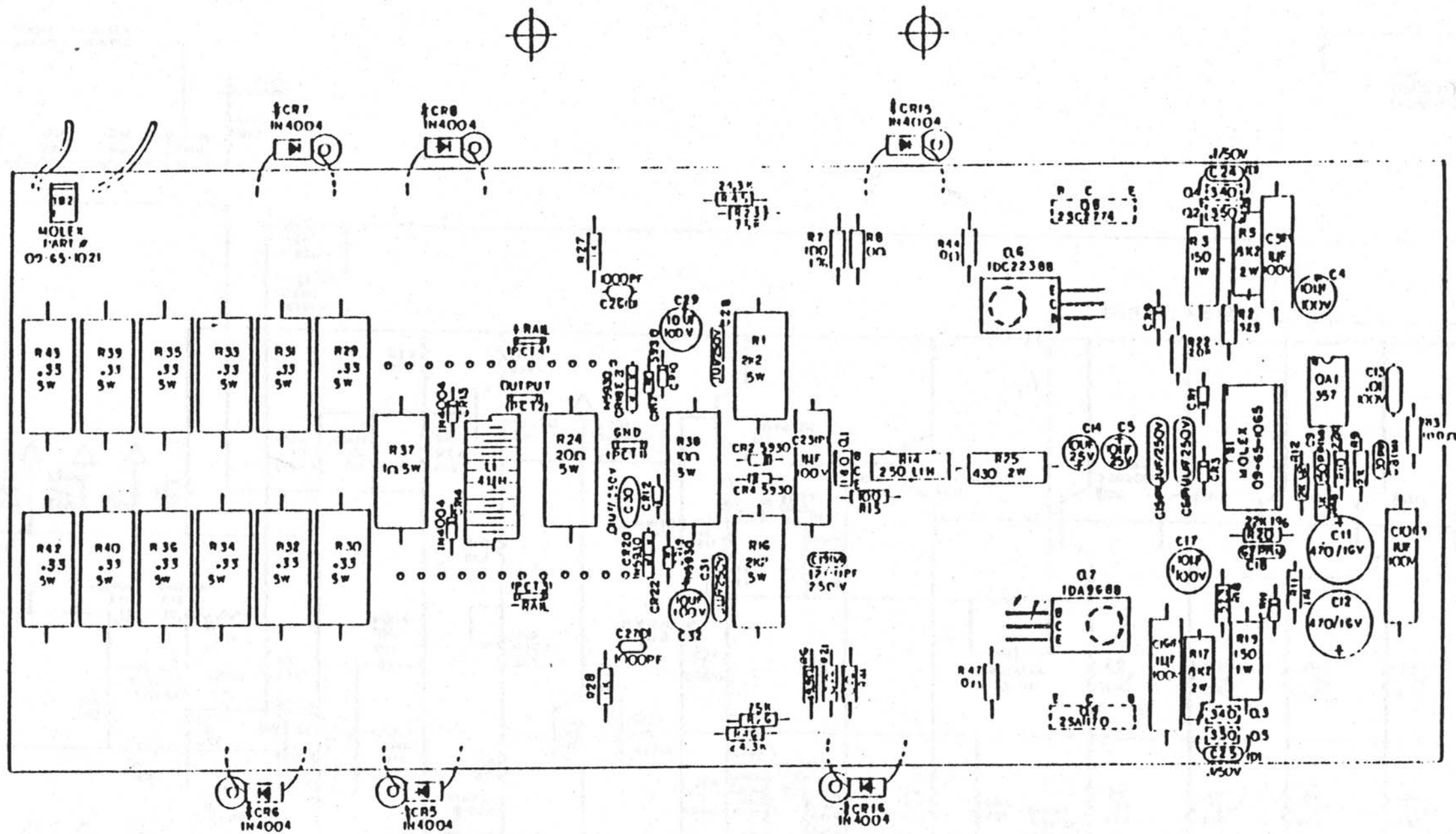
REV	DESCRIPTION	DATE
01	REDESIGN P.C.B.	3/13/84
02	CHANGE R8, R19 FROM 20K TO 24.3K	3/23/84
03	R25 FROM 75K TO 24.3K TO 10K	5/31/84

**DALLAS MUSIC INDUSTRIES**  
HAWTHORNE, N.J. 07508

OWN: E.C. DATE: 3/13/84  
 APP: I.F. DATE: 6/22/84  
 TOL: ± .05 ± .01  
 \*\*\* 2 01 PRACT 2 1/64

CREST:  
 MODELS: 4000/1001/3000/3001  
 POWER AMPLIFIERS  
 RELAY /PROJECT P.C.B.  
 ASSY DIG

DWG N: 2203677



REV	DESCRIPTION	DATE	COMP. NOT INSTALLED BY
09	R7 & R17 WERE .30K 1/4W LI WAS 5.1K R19 - R42 WERE .25A, RE & R18 WERE 2W	12/1/83	OUTSIDE VENDOR

LAST REF DES.	NOTES
USED	ALL RESISTORS 1/2W 1% UNLESS OTHERWISE SPECIFIED
NOT USED	21 CAPACITORS: 10 DISC, 10 MIC, 10 POLY
	31 PARTS ON HEATSINK
	ALL NODES W/414R UNLESS OTHERWISE SPECIFIED
	SI REV. 1, 2, 3, 4, 5 SEE DWG # 2104647-05
	IC OBSOLETE FILE
	GI GGGCQY ATTACH WITH PEM NLT #FS2-632

REV	DESCRIPTION	DATE
06	REDESIGN P.C.B.	1/17/84
07	ADD RESISTOR R45, R46, R24, R1 ADD DIODES R17, R19, R15, R30, R31 ADD DIODES R12, R11, R16, R1 REMOVE CAP. C22, C23, C24 CHANGE R15 FROM 300K TO 100K CHANGE R25 FROM 450K TO 2W TO 200K 2W CHANGE C1 FROM 50PF TO 62PF CHANGE R27, R28 FROM 100K TO 10K CHANGE R23 TO 200K FROM 100K	2/7/84
08	R8 TO 30K 1/2W TO 2W 1% R25 TO 450K 2W TO 2W 1% 1/4W	2/7/84

REV	DESCRIPTION	DATE
06	REDESIGN P.C.B.	1/17/84
07	ADD RESISTOR R45, R46, R24, R1 ADD DIODES R17, R19, R15, R30, R31 ADD DIODES R12, R11, R16, R1 REMOVE CAP. C22, C23, C24 CHANGE R15 FROM 300K TO 100K CHANGE R25 FROM 450K TO 2W TO 200K 2W CHANGE C1 FROM 50PF TO 62PF CHANGE R27, R28 FROM 100K TO 10K CHANGE R23 TO 200K FROM 100K	2/7/84
08	R8 TO 30K 1/2W TO 2W 1% R25 TO 450K 2W TO 2W 1% 1/4W	2/7/84

REV	DESCRIPTION	DATE
06	REDESIGN P.C.B.	1/17/84
07	ADD RESISTOR R45, R46, R24, R1 ADD DIODES R17, R19, R15, R30, R31 ADD DIODES R12, R11, R16, R1 REMOVE CAP. C22, C23, C24 CHANGE R15 FROM 300K TO 100K CHANGE R25 FROM 450K TO 2W TO 200K 2W CHANGE C1 FROM 50PF TO 62PF CHANGE R27, R28 FROM 100K TO 10K CHANGE R23 TO 200K FROM 100K	2/7/84
08	R8 TO 30K 1/2W TO 2W 1% R25 TO 450K 2W TO 2W 1% 1/4W	2/7/84

DALLAS MUSIC INDUSTRIES			
MULTIMEDIA #10000			
DESIGNED BY	DATE	REV	APP'D
E.C.	1/17/84	06	CREST
DRAWN BY	DATE	REV	APP'D
S.F.	2/22/84	07	MODELS: 1000/1001, 1002, 1003
CHECKED BY	DATE	REV	APP'D
			HEATSINK P.C.B.
			ASSEMBLY DWG.
SCALE	1:1	DATE	REV
		2/20/84	09
SCALE 1:1 100 NOT SCALE DRAWING			